



IMPORTANT

1. Always include complete heater model and serial number so that any specification change can be considered for parts shipment. It can save time and expense.
2. Specifications are subject to change without notice.
3. We reserve the right to substitute functional replacements.
4. Order by Part No.; not Heater Option Designation.



Replacement Parts for Separated-Combustion Models SC, SCA, SCB, SCE, SSCBL, SSCDBL

Parts Form P-SC (Version A)

Obsoletes Form P-SC

Index of Parts by Model and Page	Separated Combustion Models					
	SC	SCA	SCB	SCE	SSCBL	SSCDBL
	Duct Furnace	Unit Heaters		Packaged Systems		
Blowers and Components	--	--	12	12	14	14
Burner Rack and Carryovers	8	8	8	8	8	8
Burner Orifices	8	8	8	8	8	8
Cabinet Parts (Blower Section)	--	--	12	13	14	14
Cabinet Parts (Furnace Section)	4-7	4-7	4-7	4-7	4-7	4-7
Carryover Regulator	8	8	8	8	8	8
Concentric Adapter Box	11	11	11	11	11	11
Contact (Motor)	--	--	27	27	27	27
Dampers and Controls, Inlet	--	--	--	34	34	34
Drain, Condensate (Option CS)	5	--	--	5	5	5
Drive Components	--	--	29-32	29-32	32-34	32-34
Ductstat	--	--	--	26	26	26
Electrical Components	23-28	23-28	23-28	23-28	23-28	23-28
Evaporative Cooling Module - See Replacement Parts Form P-REC						
Fan and Components	--	11	--	--	--	--
Filter Racks	--	--	--	13	14	14
Filters	--	--	--	13	16	16
Firestat	--	--	--	25	25	25
Furnace (Ht Exchanger) Couplings	--	--	--	--	6	6
Heat Exchanger and Baffles	10	10	10	10	10	10
Limit Controls and Shields	25	25	25	25	25	25
Louvers	--	4	4	4	--	--
Manifold, Special (BM Options)	--	--	--	36	36	36
Manifold, Standard	8	8	8	8	8	8
Maxitrol Components	--	--	--	26	26	26
Motors (Blower)	--	--	17-18	18-22	18-22	18-22
Motor (Damper)	--	--	--	34	34	34
Motors (Fan)	--	11	--	--	--	--
Motors (Venter)	7	7	7	7	7	7
Outlet Nozzle	--	5	5	--	--	--
Pilot	27-28	27-28	27-28	27-28	27-28	27-28
Pressure Switches (Combustion Air)	6-7	6-7	6-7	6-7	6-7	6-7
Pressure Switches (Other)	--	--	27	27	27	27
Relays	24-27	24-27	24-27	24-27	24-27	24-27
Remote Console (Option RC)	--	--	--	28	28	28
Serial Number Designation	2	2	2	2	2	2
Starters	--	--	17-18	18-22	18-22	18-22
Switches, Disconnect	23	23	23	23	23	23
Switches, Toggle	23	23	23	23	23	23
Transformer	24, 27	24, 27	24, 27	24, 27	24, 27	24, 27
Valves (Manual)	9	9	9	9	9	9
Valves (Electric) - See Form P-VALVES; valve is identified by unit Serial No. (see pg 2)						
Venters	7	7	7	7	7	7
Vent/Combustion Air Kits	11	11	11	11	11	11

Additional References:

Website (with downloadable files): www.RezSpec.com
Subject Form
Service - Replacement Gas Valves, Ignition Controllers & Maxitrol Parts P-VALVES
Service - Converting to Other Gases P-GC
Service - Replacement Parts for Optional Evaporative Cooling Module P-REC
Installation/Operation - Model Series SC, Duct Furnace I-SC
Installation/Operation - Model Series SCE Packaged Duct Furnace/Blower I-SCE
Installation/Operation - Model Series SSCBL and SSCDBL Packaged Systems ... I-SSCBL
Installation/Operation - Vent Terminal/Combustion Air Packages I-OPT-VC
Installation/Operation - Optional Evaporative Cooling Modules I-OPT-EC



Model SCA Unit Heater (discontinued 2001)



Model SCB Unit Heater (discontinued 2001)



Model SSCBL Packaged System with "BL" Type Blower Cabinet and 1, 2, or 3 Furnace Sections



Model SSCDBL Packaged System with two "BL" Type Blower Cabinets and 2, 4, or 6 Furnace Sections (see paragraph on pg 3)

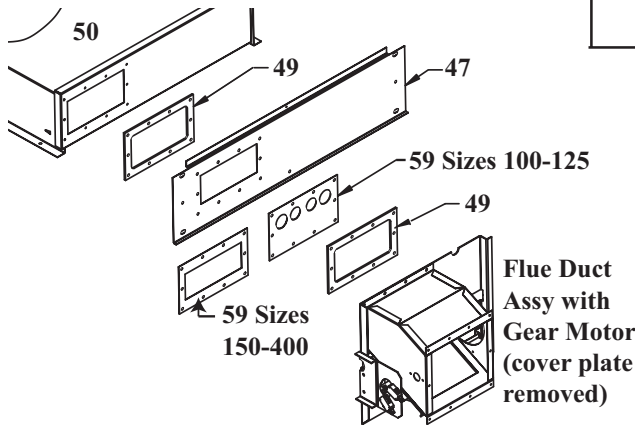
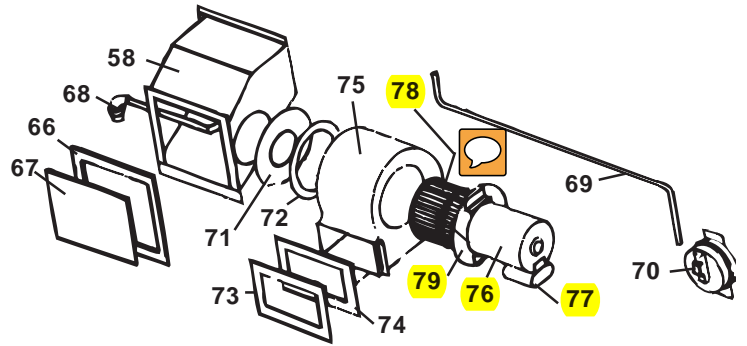




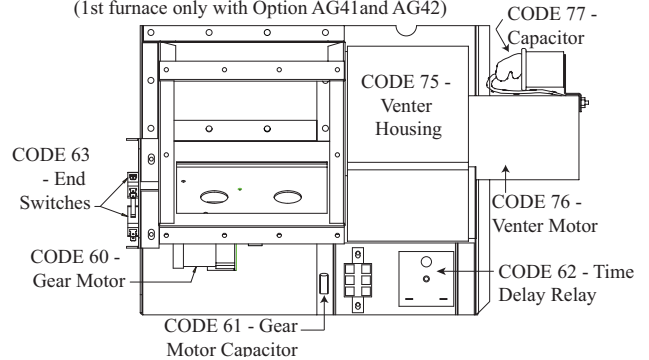
Venter Assembly

Flue Duct and Venter Parts for SC/SCE units without 20-100% electronic modulation Option AG 39 or 40; all furnaces in an SSCBL unit without Option AG 41 or 42; and 2nd and 3rd furnaces in an SSCBL unit with Option 41 or 42.

Flue Duct and Venter Parts for single furnace with Option AG39 or AG40 and the first furnace in multiple furnace units with Option AG41 or AG42.



Flue Duct and Venter Assembly for Options AG 39, 40, 41, 42 (1st furnace only with Option AG41 and AG42)



Code	Description	SSCBL										
		SC, SCA, SCB, SCE										
		100	125	150	175	200	225	250	300	350	400	
58	Flue Duct Assembly for SC(A)(B)(C) Series 3, 5 & 6 without Opt AG 39 or 40; and SSCBL without Opt AG 41 or 42 and 2nd & 3rd furnaces with Opt AG 41 or 42	68375										
59	Flue Duct Restrictor	174817	174818									
60	Gear Motor	206144										206144
61	Gear Motor Capacitor, 15MFD	206145										206145
62	Time Delay Relay	(2) 206146										(2) 206146
63	Safety End Switch	(2) 174812										(2) 174812
64	Replacement Gear Motor Kit (to replace solenoid actuator)	208474										208475
65	Replacement Solenoid Actuator only (select by voltage - same apply to Sizes 400/800/1200)	For SC/SCE with Option AG 39 or 40, and 1st furnace of SSCBL with AG 41 or 42 mfgd beginning 11/03										
		174847 (460V)										174847
		174846 (208/230V)										174846
		174814 (115V)										174814
66	Cover Plate Gasket	Series 3, 5 and 6 and SSCBL										41996
67	Flue Duct Cover Plate	Series 3, 5 and 6 and SSCBL										41995
68	Sensing Tube Assy	Series 3 and 5 and SSCBL prior to 1/94										
		Series 6 & SSCBL 1/94 to 9/99										
		Series 6 and SSCBL beginning 9/99										
69	Pressure Switch Tubing	Series 3 & 5 and SSCBL prior to 1/94										
		Series 6 and SSCBL beginning 1/94										
70	Pressure Switch - Replacement depends on manufacture date, altitude, and electronic modulation options; see application and P/N's listed on page 6.	21183, 1/4" x 24" long										
71	Venter Restrictor or Inlet Ring	Series 3 and 5										
		68382	43255	43257	68386	68388	68390	68392	43260	68399		
		125855	125856	125857	125858	125859	68386	68388	43259	43260	63899	
		125855	43254	125857	43257	125859	43258	68388	68392	125862	125863	
		175786	68388	68386	68390	43250	175787	43260	62594	62594		
72	Venter Gasket	44695										
73	Venter Seal Gasket	Series 3, 5, and 6										
74	Venter Seal Plate	68420										
75	Venter Housing Assy	68380										
76	Venter assembly	115V										
		SIZES 100-300 & 500 & 600 USE RGD0001										
		SIZES 350 & 400 RGD0004										
		208/230V										
		SIZES 100-300 & 500 & 600 USE RGD0002										
		SIZES 350 & 400 RGD0005										
		460V										
		SIZES 100-300 & 500 & 600 USE RGD0004										
		SIZES 350 & 400 RGD0006										
77	Motor Capacitor only	115V, Fasco										
		163891 (replaces 125350)										
		208/230V, Fasco 7162-3846										
		163892 (replaces 125672)										
		163893 (replaces 125673)										
78	Venter Wheel for Series 3, 5, and 6 & SSCBL, Torrington	163894 (replaces 103181)										
		43425, AD326-215-101-2, 5/16										
		43814, AD424-215-101-2, 5/16										
		29340, AA408-201-1										
79	Venter Motor Mounting Plate Assy - All Series 6	125344										
80	Spiral Spacers #8 x 3/4" - All Series 6 (not illustrated)	(4) 97721										